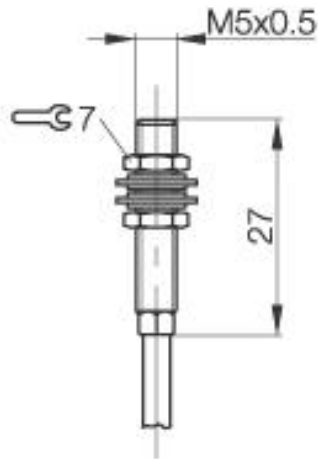


Inductive Sensors
BES M05ED-PSD05B-ES02-T01
M5x0,5 x 27
normally-open
Sn=0,5mm
shielded



Common Data

Mounting in steel	shielded
Rated operating distance Sn	0,5mm
Assured operating distance Sa	0...0,4mm
Repeatability R	= 5%
Hysteresis	= 15%
Function indication	yes
Ambient temperature range	-25...+120°C
Polution Degree	3
Time delay before availability	≤ 10ms

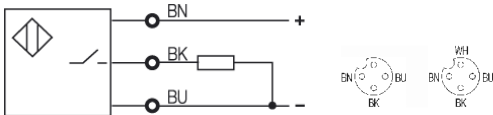
Mechanical Data

Measurements BxHxT or DxT	M5x0,5 x 27mm
Housing material	stainless steel
Material of sensing face	PA 6
Degree of protection	IP67IP
Connection	Cable
Cable type	2m Silicon-Cable 3x0,15mm ²
Schock: Halfsinus, 30 gn, 11ms	
Vibration: 55 Hz, 1mm Amplitude, 3 x 30 Minutes	

Electrical Data

Current type	DC
Wiring	3-Wire
switching function	normally-open
Output signal	PNP
Rated operational voltage	24 DCV
Rated operational current	≤150mA
Supply voltage	10...30 DCV
Ripple	=10%
Rated supply frequency	DCHz
max. switching frequency	1000Hz
Minimum operational current	0mA
No-load supply current	=10mA
Off-state current	= 50µA
Voltage drop	= 1V
Short circuit protection	yes
Protected against polarity reversal	yes

PX1651



Utilization categories
 Insulation class

DC 13

Datasheet number:

Definitions see general catalog.
 If not otherwise noted, ratings according to
 IEC 60947-5-2 (DIN EN60947-5-2)

Balluff GmbH
 Schurwaldstrasse 9
 73765 Neuhausen a.d.F.
 Phone (07158) 173-0 Fax (07158) 5010

Datenblatt by CD-ROM - 04/2007

